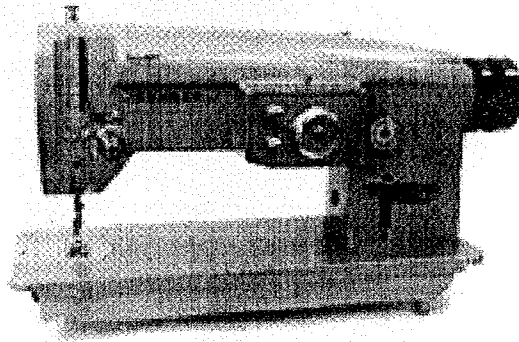


CONSEW[®]
CONSOLIDATED SEWING MACHINE CORP.

MODEL
199R-2A



PARTS BOOK

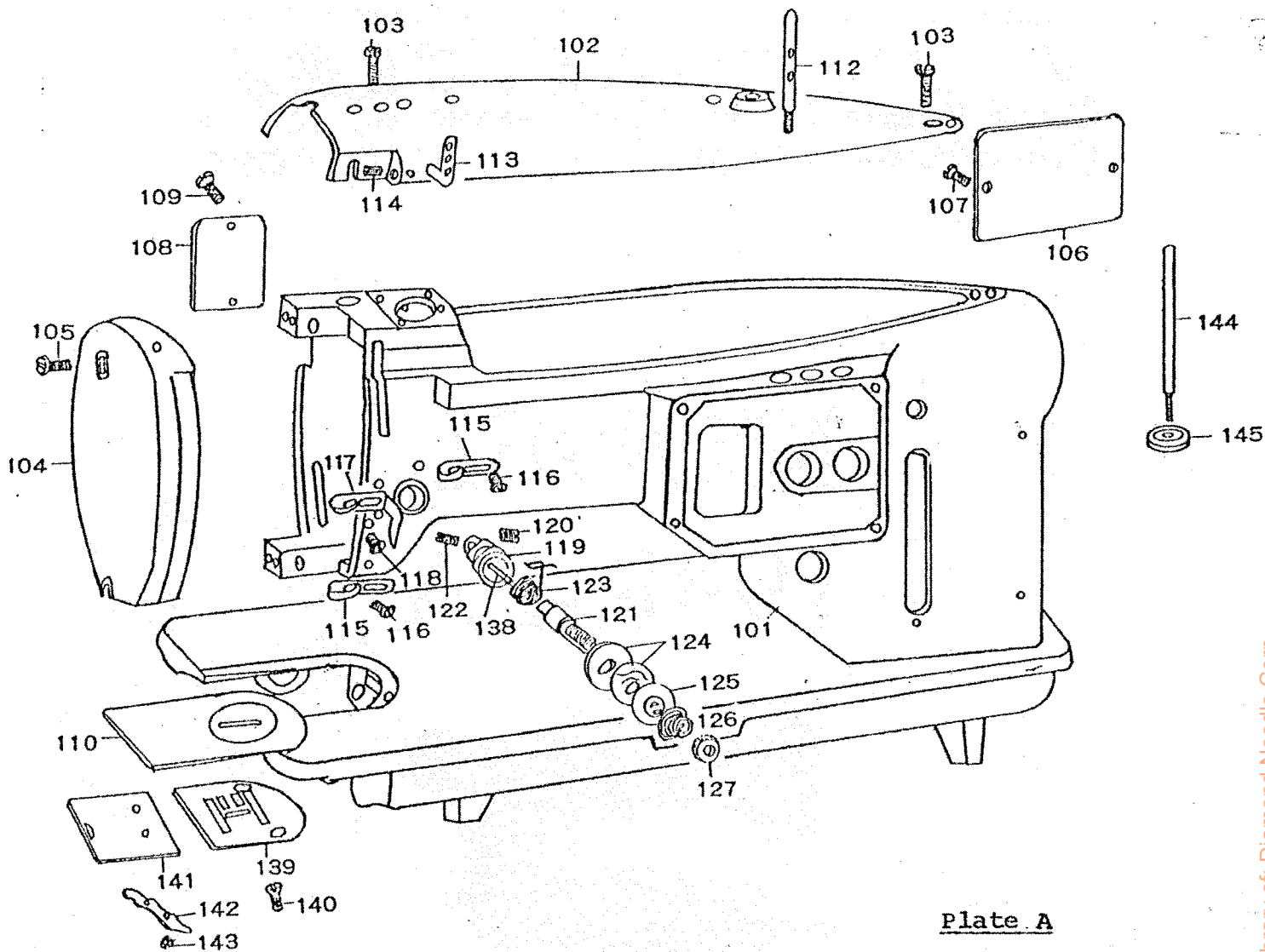


Plate A

<u>Part No.</u>	<u>Description</u>	<u>Qty. used</u>
101	Arm, bed assy.	1
102	Top cover, arm	1
103	... screw for 103	2
104	Face plate	1
105	... screw for 105	2
106	Arm side cover (Large)	1
107	... screw for 106	2
108	Arm side cover (Small)	1
109	... screw for 107	2
110	Needle plate (Embroidery use)	1
112	Needle thread guide pin (w2 hole)	1
113	Three hole thread eyelet	1
114	... screw for 113	1
115	Arm thread guide	2
116	... screw for 115	2
117	Tension post thread guide	1
118	... screw for 117	1
119	Tension post socket	1

From the library of: Diamond Needle Corp

<u>Part No.</u>	<u>Description</u>	<u>Qty. used</u>
120	... screw for 119	1
121	Tension post	1
122	... screw for 121	1
123	Take up spring	1
124	Tension disk	1
125	Tension release washer	1
126	Tension spring	1
127	Tension nut	1
138	Tension releasing pin	1
139	Needle plate	1
140	... screw for 139	2
141	Bed slide	1
142	Bed slide spring	1
143	... screw for 142	2
144	Arm spool pin	1
145	Arm spool pin holder base	1

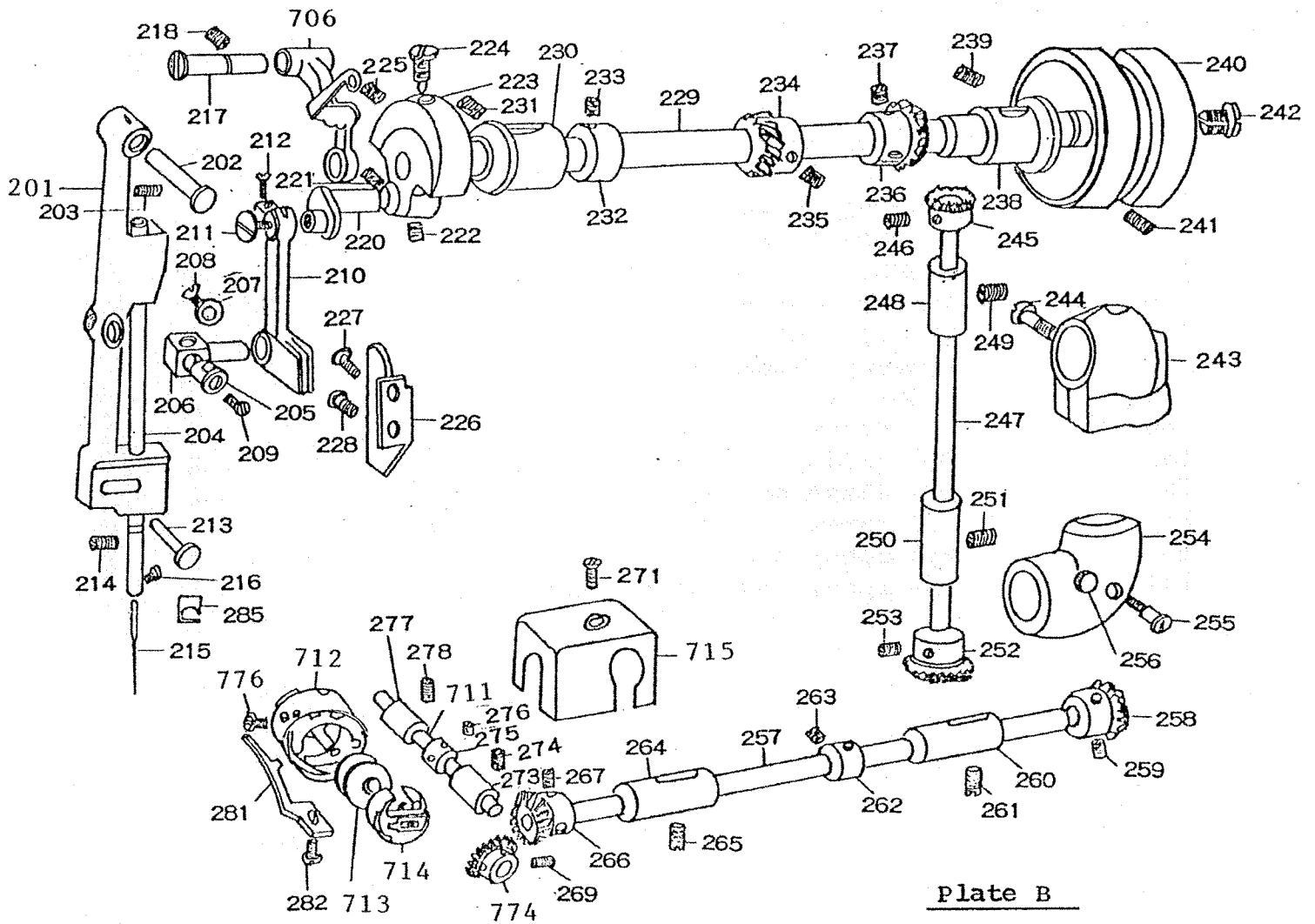


Plate B

<u>Part No.</u>	<u>Description</u>	<u>Qty. used</u>
201	Needle bar frame	1
202	... hinge pin	1
203	... screw for 201	1
204	Needle bar	1
205	Needle bar connecting stud bushing	1
206	Needle bar connecting stud	1
207	... washer	1
208	... screw for 205	1
209	Needle bar set screw	1
210	Needle bar connecting link	1
211	... screw for 210	1
212	... adjusting screw	1
213	... needle bar frame guide pin	1
214	... screw for 213	1
215	Needle	1
216	Needle screw	1
217	Take-up lever link hinge pin	1
218	... screw for 217	1
706	Take up lever W/cam	1

<u>Part No.</u>	<u>Description</u>	<u>Qty. used</u>
220	Take-up crank	1
221	... screw (Large) for 220	1
222	... screw (Small) for 220	1
223	Needle bar crank	1
224	... screw (Large) for 223	1
225	... screw (Small) for 223	1
226	Needle bar connecting link guide plate	1
227	Needle bar connecting link guide plate screw (Upper) for 226	1
228	... screw (Lower) for 226	1
229	Arm shaft	1
230	... bushing (Front)	1
231	... screw for 230	1
232	... collar	1
233	... screw for 232	2
234	Needle vibration pinion (Spiral)	1
235	... screw for 234	2
236	Arm shaft (Horizontal) lever gear	1
237	... screw for 236	2
238	Arm shaft bushing (Rear)	1
239	... screw for 238	1
240	Hand wheel	1
241	... screw for 240	2
242	... positioning screw	1
243	Gear and pinion case	1
244	... screw for 244	1
245	Pinion	1
246	... screw for 245	2
247	Upright shaft	1
248	... bushing (Upper)	1
249	... screw for 247	1
250	... bushing (Lower)	1
251	... screw for 250	1
252	... miter gear	1
253	Upright shaft screw	2
254	Miter Gear case	1
255	... screw for 254	1
256	... oil plug screw	1
257	Hook drive shaft	1
258	... miter gear (Ring)	1
259	... screw for 257	2
260	... bushing (Right)	1
261	... screw for 260	1
262	... thrust collar	1

<u>Part No.</u>	<u>Description</u>	<u>Qty. used</u>
263	... screw for 262	2
264	... bushing (Left)	1
265	... screw for 264	1
266	... helical gear right	1
267	... screw for 266	2
774	Helical gear (Left)	1
269	... screw for 774	2
715	Helical gear cover	1
271	... screw for 715	1
711	Hook shaft	1
273	... bushing (Front)	1
274	... screw for 273	1
275	... thrust collar	1
276	... screw for 275	2
277	... bushing (Rear)	1
278	... screw for 277	1
712	Hook	1
776	... screw for 712	3
281	Bobbin case position bracket	1
282	... screw for 281	1
713	Bobbin	1
714	Bobbin case	1
285	Needle bar thread guard	1

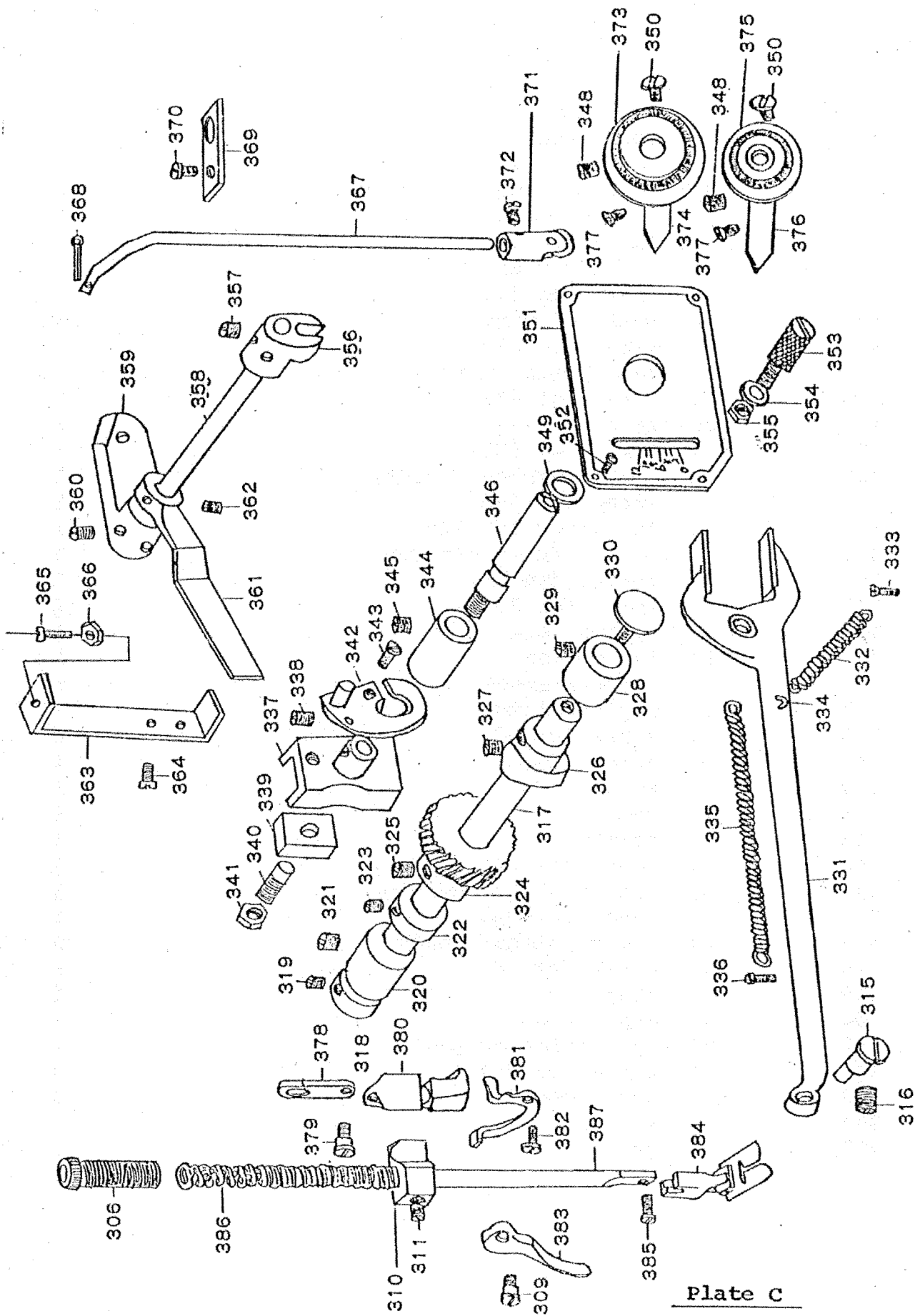


Plate C

<u>Part No.</u>	<u>Description</u>	<u>Qty. used</u>
306	Presser bar lifter screw	1
309	... screw for 306	1
310	Presser bar guide bracket	1
311	... screw for 310	1
315	Eccentric stud	1
316	... screw for 315	1
317	Needle vibrating cam shaft	1
318	... collar (Rear)	1
319	... screw for 318	2
320	... bushing rear	1
321	... screw for 320	1
322	... collar (Front)	1
323	... screw for 322	2
324	... bevel gear (Large)	1
325	... screw for 324	2
326	Needle vibrating cam	1
327	... screw for 326	1
328	Cam shaft bushing (Front)	1
329	... screw for 328	1
330	... cap screw for 328	1
331	Needle bar frame pit man	1
332	... spring (Small)	1
333	... screw for 331	1
334	... spring hook	1
335	Lifting spring	1
336	... catcher screw	1
337	Zig-zag regulator	1
338	... screw for 337	1
339	... slide block	1
340	... stud	1
341	... nut	1
342	... holder	1
343	... screw for 342	1
344	Zig-zag regulator bushing	1
345	... screw for 344	1
346	Zig-zag regulator shaft	1
348	... screw for 346	2
349	... washer	1
350	... cap screw	1
351	Zig-zag indicator plate	1
352	... screw for 351	4
353	... stop screw	2
354	... washer	2
355	... nut	2

<u>Part No.</u>	<u>Description</u>	<u>Qty. use</u>
356	Zig-zag connector	1
357	... screw for 356	2
358	Lifting crank shaft	1
359	Lifting crank	1
360	... screw for 359	2
361	Indicator stop lever	1
362	... screw for 361	2
363	Indicator stop bracket	1
364	... screw for 363	2
365	... adjusting screw	1
366	... nut	1
367	Lifting rod	1
368	... cotter pin	1
369	... stabilizer plate	1
370	... screw for 369	1
371	Lifting rod roller	1
372	... screw for 371	1
373	Dial	1
374	Needle vibrator stop index finger	1
375	Dial	1
376	Needle vibrator stop index finger	1
377	... screw for 376	1
378	Lifting lever link	1
379	... screw for 378	1
380	Presser bar lifting and releasing lever bracket	1
381	Tension releasing lever	1
382	... screw for 381	1
383	Presser bar lifter	1
384	Presser foot - Standard	1
385	... screw for 385	1
386	... spring	1
387	Presser bar	1

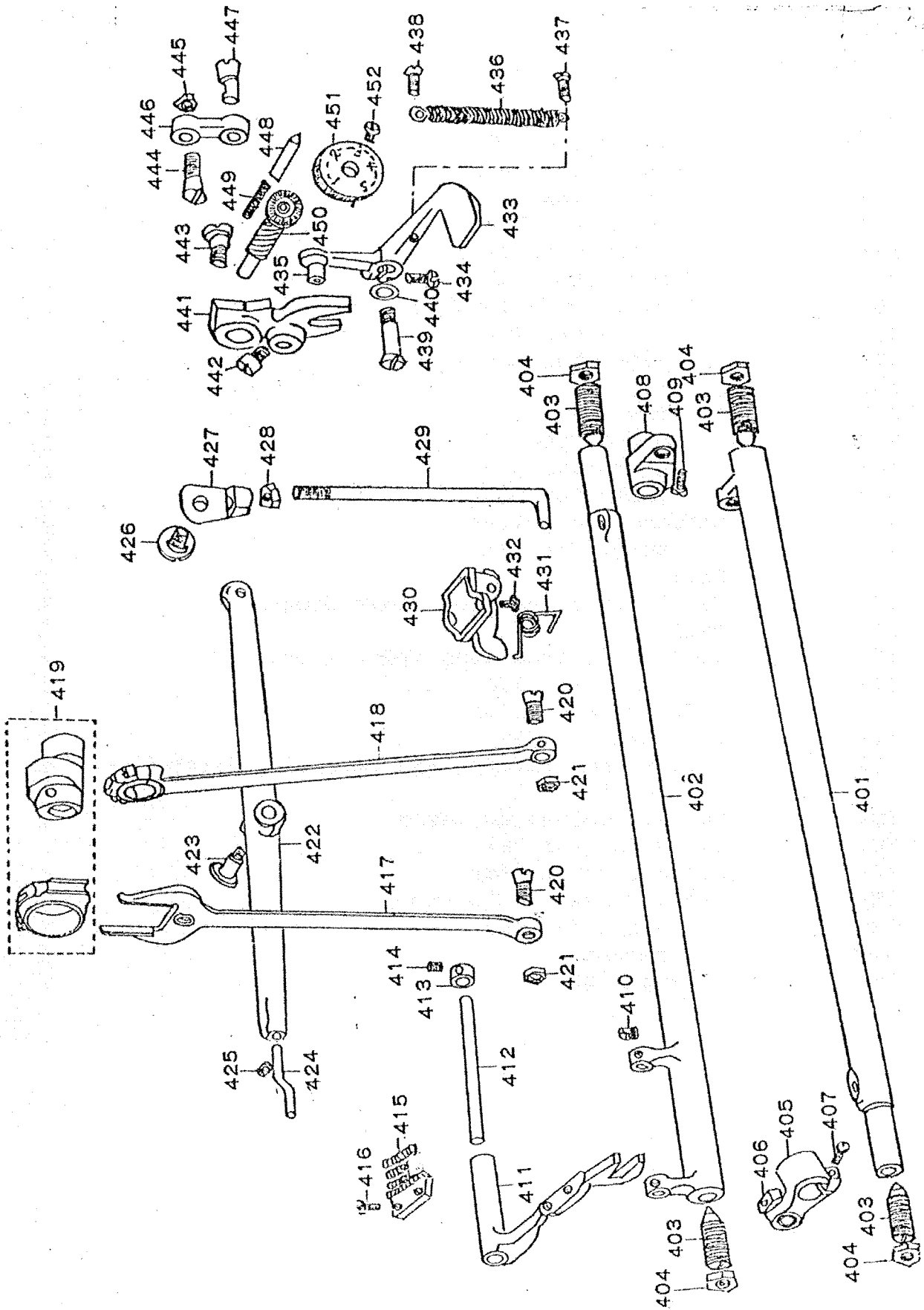
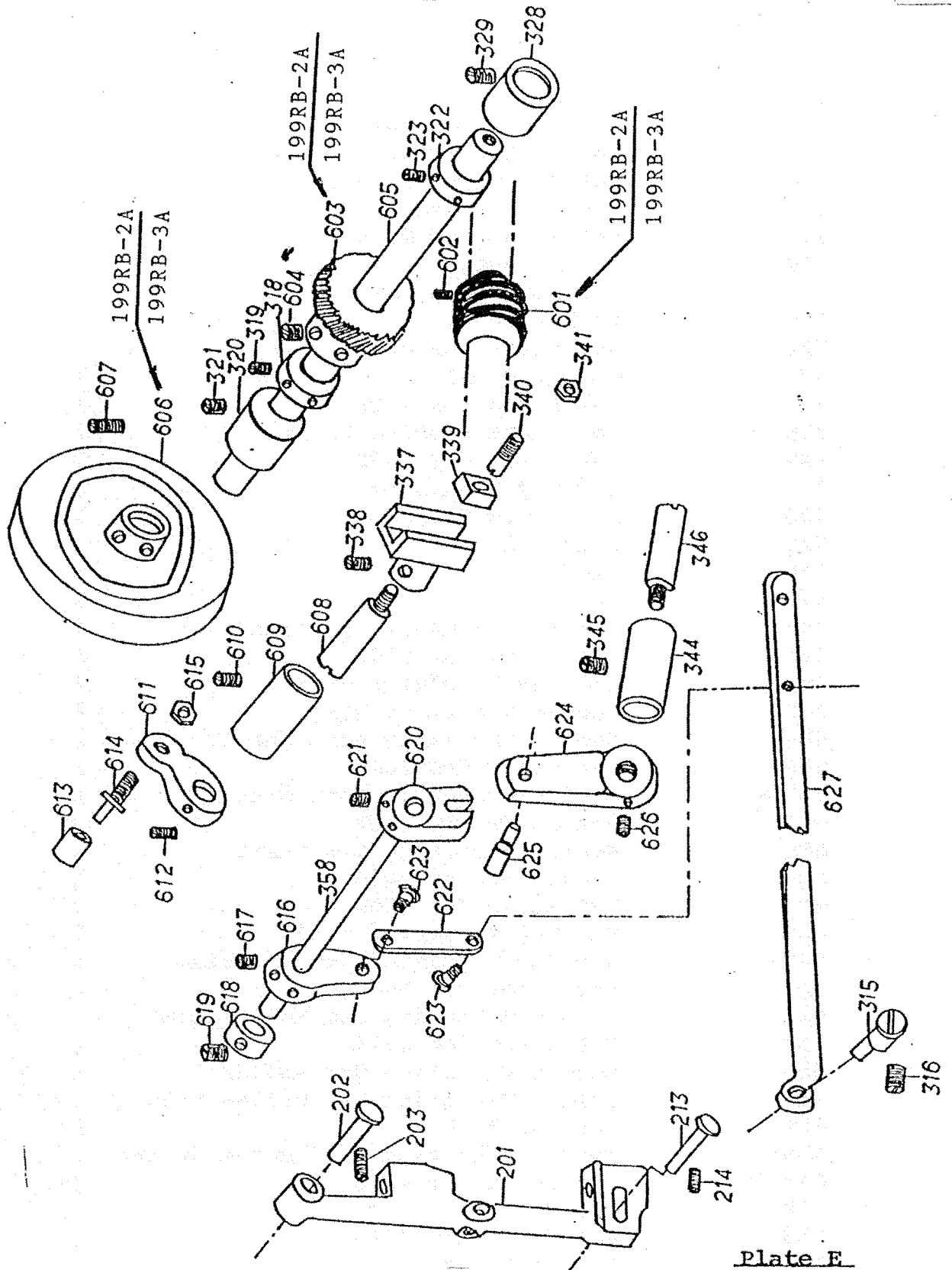


Plate D

<u>Part No.</u>	<u>Description</u>	<u>Qty. used</u>
401	Feed lifting rock shaft	1
402	Feed rock shaft	1
403	... screw center for 402	4
404	... screw center nut for 402	4
405	Feed lifting rock shaft crank	1
406	Feed lifting rock shaft roller	1
407	Feed lifting rock shaft crank clamping crew	1
408	Feed rock shaft crank	1
409	Feed rock shaft crank clamping screw	1
410	Feed bar shaft set screw	2
411	Feed bar	1
412	Feed bar shaft	1
413	Feed bar shaft collar	1
414	... screw for 413	1
415 F	Feed dog 6-Row (Gov't Only)	1
416	... screw for 416	2
417	Feed forked connection	1
418	Feed lifting rock shaft connecting rod	1
419	Feed cam	1
420	Feed lifting rock shaft connecting rod hinge screw	2
421	... hinge screw nut	2
422	Knee lifter lifting lever	1
423	... screw for 422	1
424	Knee lifter lifting lever pin	1
425	... screw for 424	1
426	Knee lifter lifting lever connecting rod joint hinge screw	1
427	Knee lifter lifting lever connecting rod joint	1
428	Knee lifter lifting lever connecting rod lock nut	1
429	Knee lifter lifting lever connecting rod	1
430	Knee lifter bell crank	1
431	... spring	1
432	... screw for 430	2
433	Feed reverse lever	1
434	... screw for 433	1
435	... roller	1
436	... spring	1
437	... screw (Lower) for 436	1
438	... screw (Upper) for 436	1
439	Feed reverse lever hinge screw	1
415	Feed Dog (Standard 4-Row)	

<u>Part No.</u>	<u>Description</u>	<u>Qty. used</u>
440	... washer	1
441	Feed regulator (Forked)	1
442	... screw for 441	1
443	... screw for 441	1
444	Feed connecting lower hinge screw	1
445	... screw nut for 444	1
446	Feed connecting link	1
447	Feed connecting link hinge stud	1
448	Feed regulating dial lock pin	1
449	... spring	1
450	Feed regulating stud	1
451	Feed regulating dial	1
452	... screw for 451	1



<u>Part No.</u>	<u>Description</u>	<u>Qty. used</u>
201	Needle Bar Frame	1
202	Hinge Pin	1
203	Set Screw for 201	1
213	Needle Bar Frame Guide Pin	1
214	Set Screw for #213	1
315	Eccentric Stud	1
316	Set Screw for #315	1
318	Collar Rear	1
319	Set Screw for #318	2
320	Bushing Rear	1
321	Set Screw for #320	1
322	Collar Front	1
323	Set Screw for #322	1
328	Cam Shaft Bushing Front	1
329	Set Screw for #328	1
337	Zig Zag Regulator	1
338	Set Screw for #608	1
339	Slide Block	1
340	Stud	1
341	Nut	1
344	Zig Zag Regulator Bushing	1
345	Set Screw for #344	1
346	Zig Zag Regulator Stud	1
358	Needle Vibrating Shaft	1
601 *	Needle Vibrating Worm Wheel	1
602	Set Screw for #601	2
603 *	Needle Vibrating Worm Gear	1
604	Set Screw for #603	2
605	Needle Vibrating Cam Shaft	1
606 *	Needle Vibrating Cam	1
607	Set Screw for #606	2
608	Zig Zag Regulator Stud	1
609	Zig Zag Regulator Stud Bushing	1
610	Set Screw for #609	1
611	Needle Vibrating Cam Roller Arm	1
612	Set Screw for #611	1
613	Needle Vibrating Cam Roller	1
614	Needle Vibrating Cam Roller Stud	1
615	Nut for #614	1
616	Needle Vibrating Bell Crank (rear)	1
617	Set Screw for #616	2
618	Collar	1
619	Set Screw for #616	1
620	Forked Lever	1
621	Set Screw for #620	2

<u>Part No.</u>	<u>Description</u>	<u>Qty used</u>
622	Connecting Link	1
623	Hinge Screw for #622	2
624	Needle Bar Vibrating Bell Crank (Front)	1
625	Forked Lever Driving Stud	1
626	Set Screw for #624	1
627	Needle Vibrating Connection	1

Consolidated Sewing Machine Corp.

Website: www.consew.com

MAIN office

131 W. 25th Street
New York, NY 10001
Tel: 212-741-7788
Fax: 212-741-7787
e-mail: consew@att.net

Miami, FL

4013 N.W. 79th Avenue
Miami, FL 33166
Tel: 305-471-0200
Fax: 305-471-0243
e-mail: miamisales@consew.com

Los Angeles, CA

2320 South Hill Street
Los Angeles, CA 90007
Tel: 213-745-8844
Fax: 213-745-8855
e-mail: lasales@consew.com